
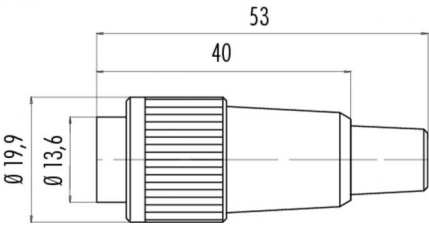
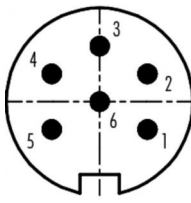


Product description **Bayonet cable connector, Contacts: 6 DIN, 6.0 - 8.0 mm, Shielding is not possible, solder, IP40**
 Area **Bayonet series 678**
 Order number **99 0617 02 06**

Illustration	Scale drawing	Contact arrangement																					
		 <table border="1" style="margin-left: 20px;"> <thead> <tr> <th></th> <th>X</th> <th>Y</th> </tr> </thead> <tbody> <tr> <td>1</td> <td>3,03</td> <td>-1,75</td> </tr> <tr> <td>2</td> <td>3,03</td> <td>1,75</td> </tr> <tr> <td>3</td> <td>0,00</td> <td>3,50</td> </tr> <tr> <td>4</td> <td>-3,03</td> <td>1,75</td> </tr> <tr> <td>5</td> <td>-3,03</td> <td>-1,75</td> </tr> <tr> <td>6</td> <td>0,00</td> <td>0,00</td> </tr> </tbody> </table>		X	Y	1	3,03	-1,75	2	3,03	1,75	3	0,00	3,50	4	-3,03	1,75	5	-3,03	-1,75	6	0,00	0,00
	X	Y																					
1	3,03	-1,75																					
2	3,03	1,75																					
3	0,00	3,50																					
4	-3,03	1,75																					
5	-3,03	-1,75																					
6	0,00	0,00																					

You can find the component part drawing on the next page.

Technical data

General values

Connector design	cable connector
Connector locking system	Bayonet
Termination	solder
Wire gauge (mm)	0.75 mm ²
Wire gauge (AWG)	18
Cable outlet	6.0 - 8.0 mm
Upper limit temperature	85 °C
Lower limit temperature	- 40 °C
Customs tariff number	85369010

Electrical values

Rated current (40 °C)	6 A
Rated voltage	250 V
Rated impulse voltage	1500 V
Pollution degree	1
Overvoltage category	I
Insulating material group	III
Insulation resistance	≥ 10 ¹⁰ Ω
EMC compliance	Shielding is not possible
Degree of protection	IP40
Mechanical operation	> 500 Mating cycles

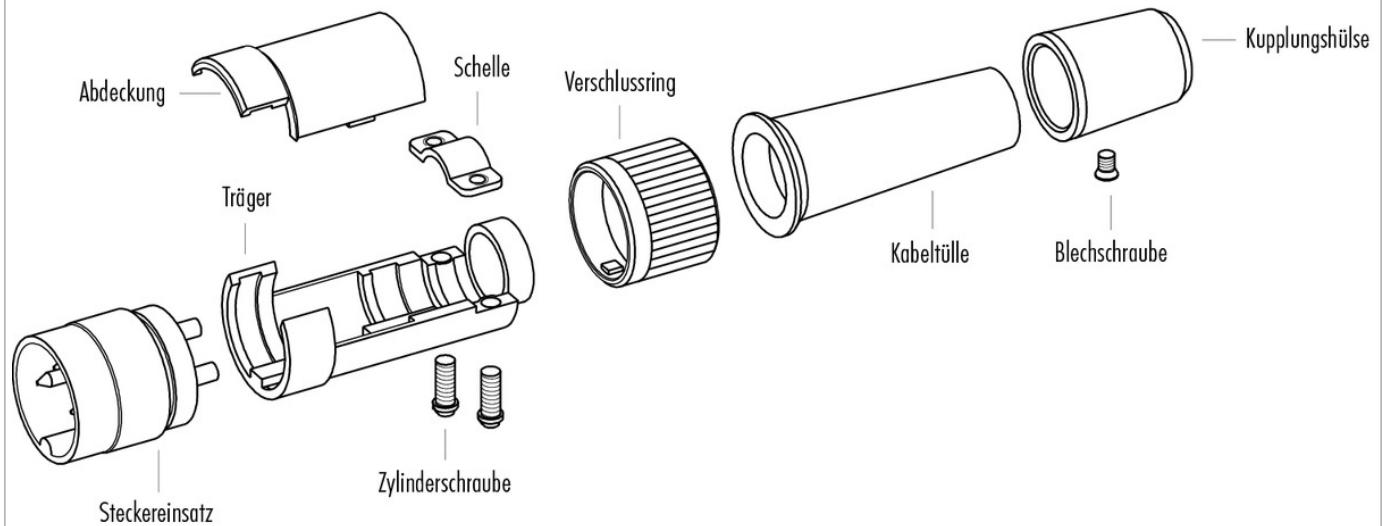
Material

Contact material	CuZn (brass)
Contact plating	Ag (silver)
Contact body material	PBT (UL 94 V-0)
Housing material	PA

Product description **Bayonet cable connector, Contacts: 6 DIN, 6.0 - 8.0 mm, Shielding is not possible, solder, IP40**

Area **Bayonet series 678**
Order number **99 0617 02 06**

Component part drawing



Product description	Bayonet cable connector, Contacts: 6 DIN, 6.0 - 8.0 mm, Shielding is not possible, solder, IP40
Area	Bayonet series 678
Order number	99 0617 02 06

Security notices

The connector must not be connected or separated under load. Non-observance and incorrect use can result in personal injury.

The connectors are designed for use in plant, control system and electrical equipment. The end user is responsible for checking whether the connectors are suitable for use in other applications.

Connectors used in electrical circuits containing hazardous life parts must only be assembled and used by or under the supervision of persons with the requisite electrotechnical training, taking the applicable regulations and standards into account.

The connector is not suitable for mains voltages. Please observe the pollution degrees and the overvoltage category. For further information refer to 'Technical support' in the Download Centre.